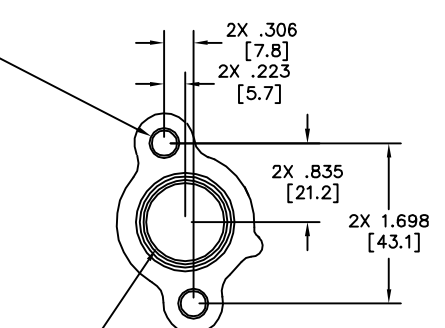
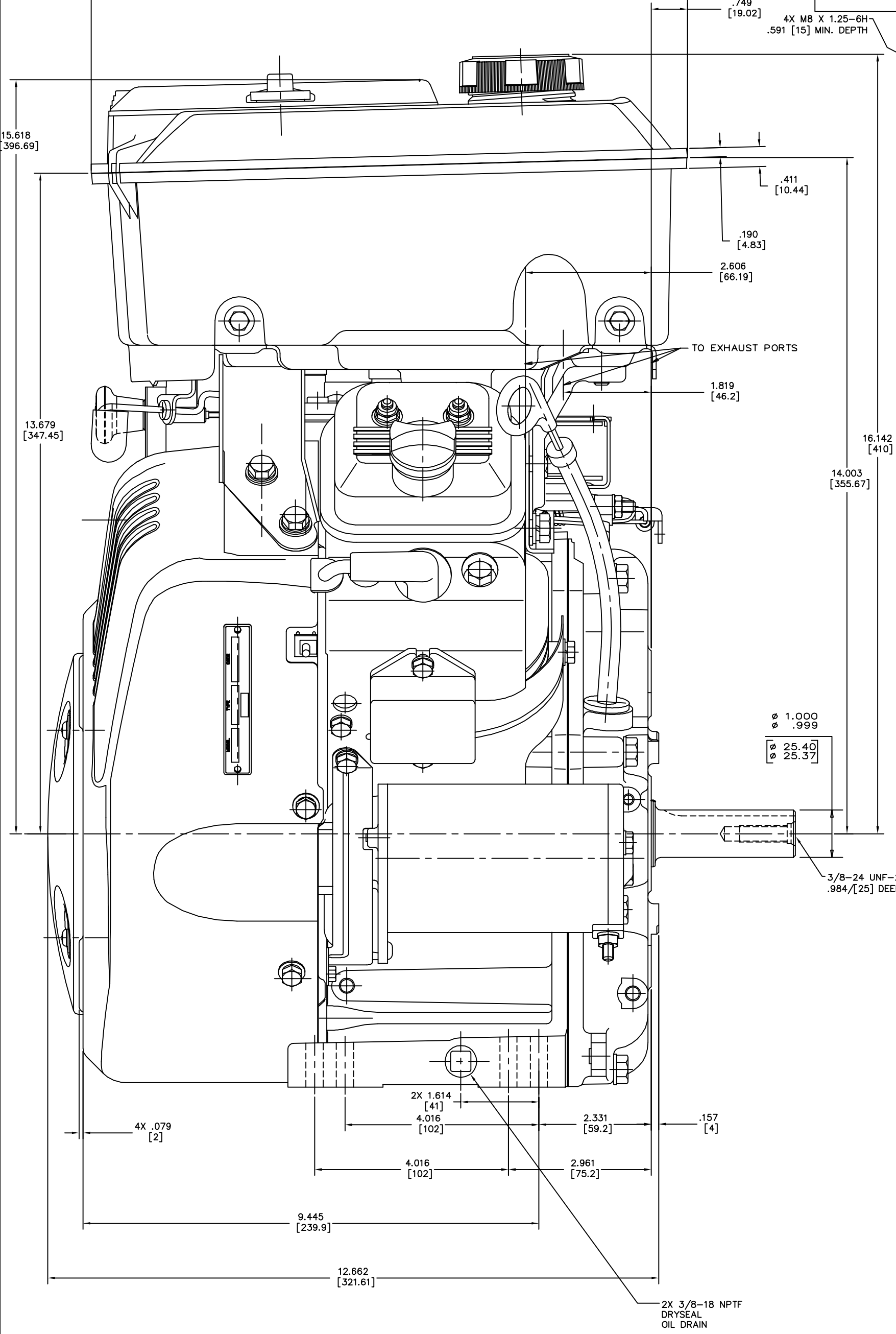
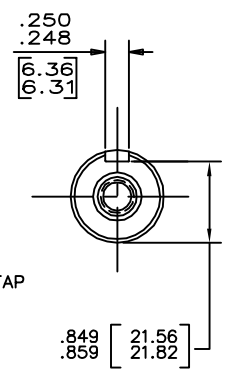
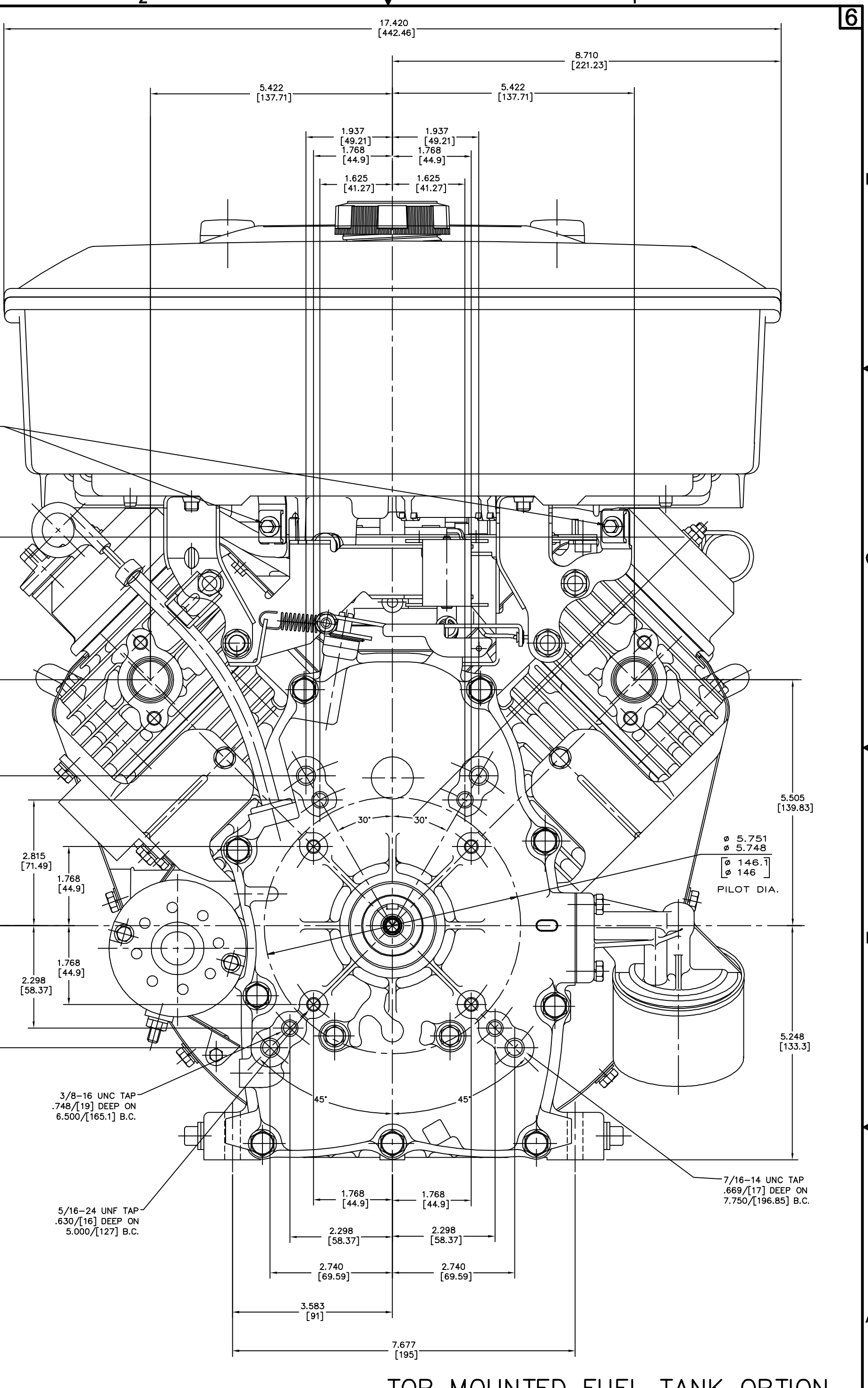


WARNING—ANY MUFFLER MOUNTED WITHIN 6.0 INCHES (152.4 mm) OF THE FUEL TANK REQUIRES A HEAT SHIELD



HORIZONTALLY FASTENED CABLE ATTACHMENT POINTS



TOP MOUNTED FUEL TANK OPTION

DIMENSIONS ARE IN INCHES, MILLIMETER EQUIVALENTS ARE IN BRACKETS

REV.	CHANGES	BY	ECO NO.	DATE	DO NOT SCALE DRAWING	DIMENSIONING AND TOLERANCING PER ANSI Y14.5M-1984	MATERIAL	TITLE	BRIGGS & STRATTON CORPORATION
-	RELEASED FOR PRODUCTION	GWD	ERN01255	02/16/04	THIS DRAWING IS PROPRIETARY PROPERTY OF BRIGGS & STRATTON CORPORATION DISCLOSED IN CONFIDENCE. WHICH MAY NOT BE USED OR DISCLOSED WITHOUT PERMISSION. RETURN PROMPTLY AFTER USE.	CLASSIFICATION OF CHARACTERISTICS		APPLICATION DRAWING	MILWAUKEE, WISCONSIN, U.S.A.
A	SEE SHEET 1 AND 4	GWD	SC00261	04/21/04		CRITICAL (C): EMISSIONS (E): MAJOR (M):		DRAWN: GWD 02/14/04 APPR: RAS 03/24/04	DESIGN VENDOR: 356400-0000-06
-		-	-	-				SCALE: 1:1	REV. SHEET 6 OF 9

18.96
481.48
(FOR REMOVAL OF
AIR CLEANER CARTRIDGE)

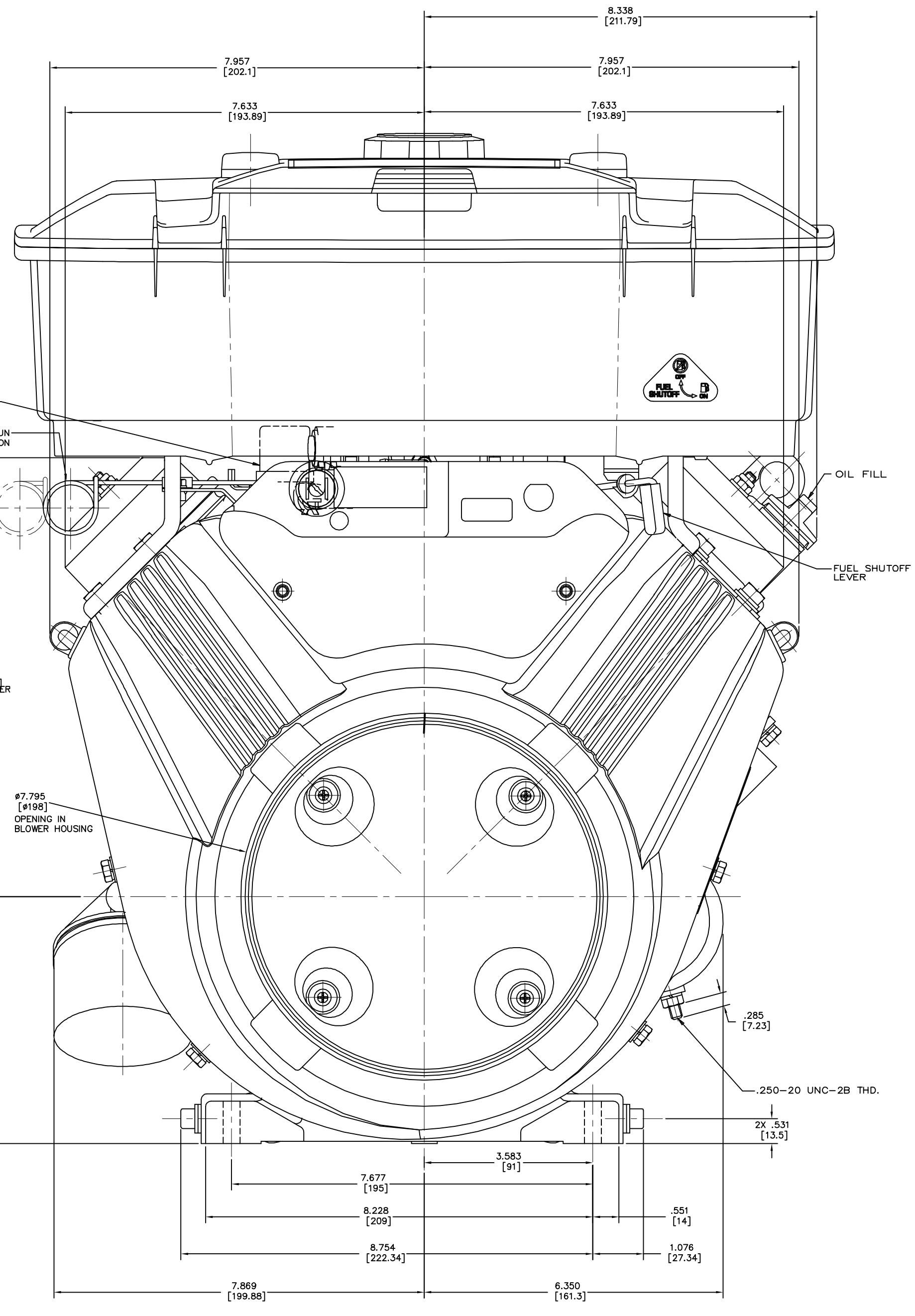
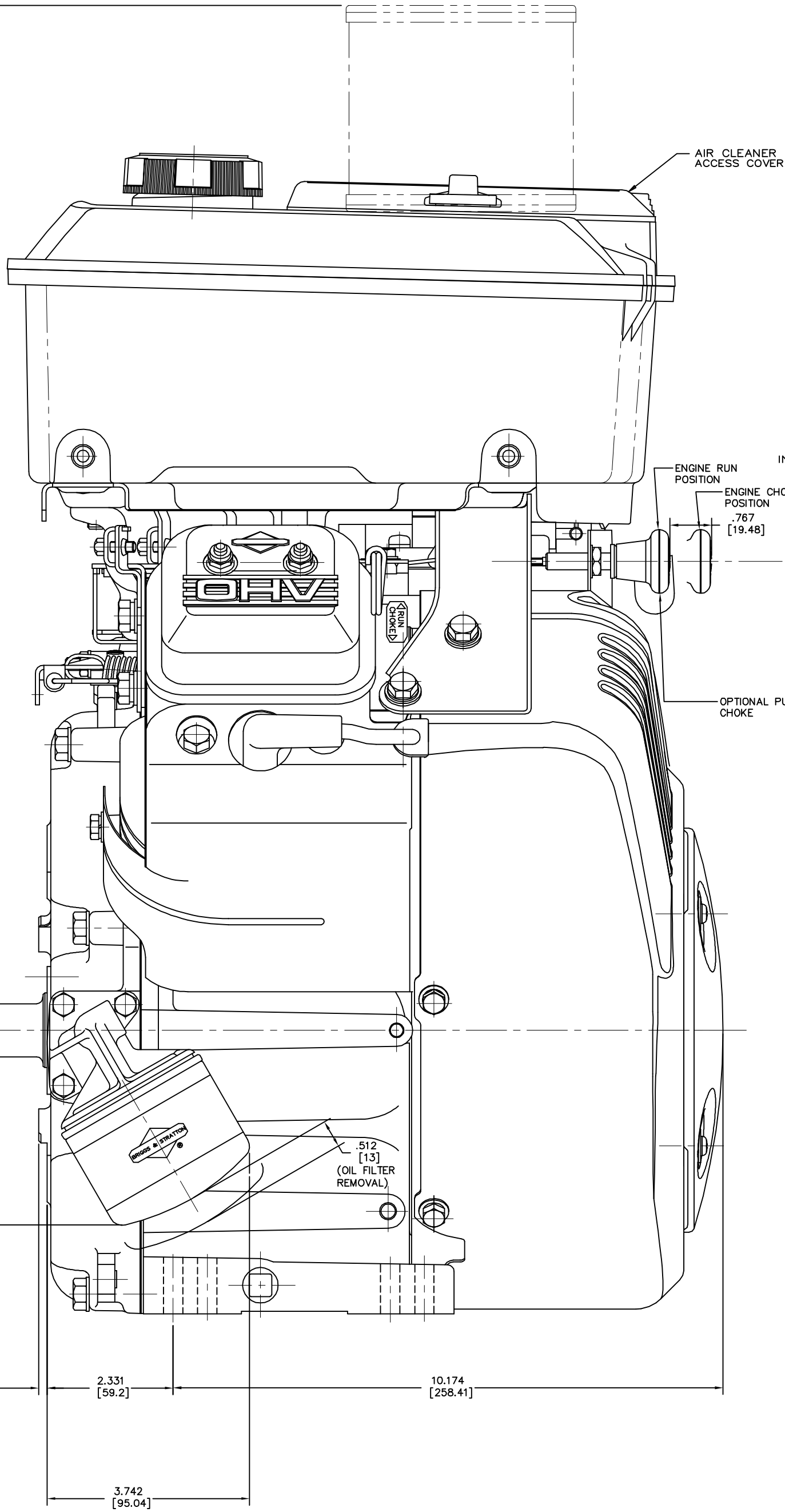
3.600
[91.45]

.157
[4]

2.331
[59.2]

10.174
[258.41]

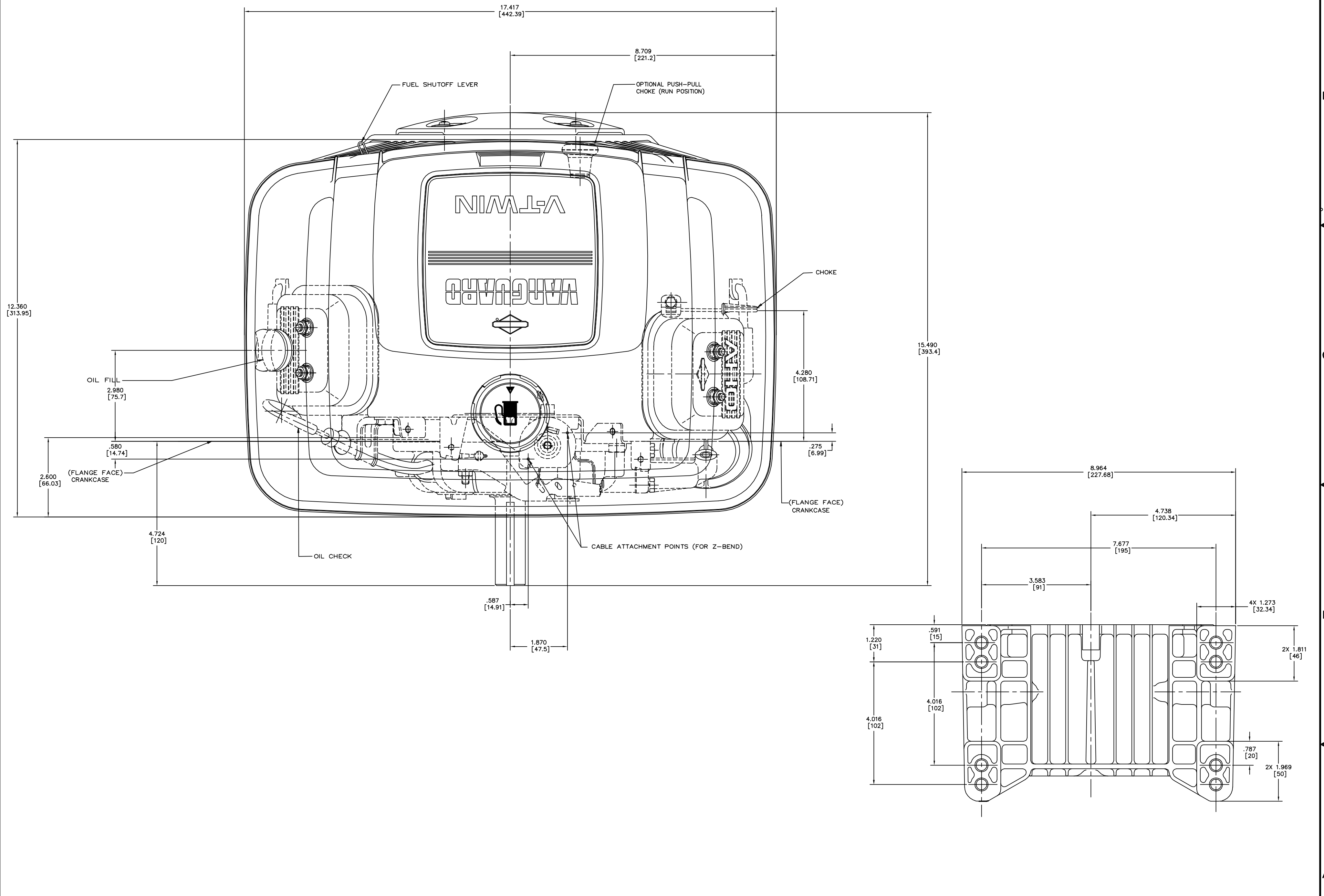
3.742
[95.04]



DIMENSIONS ARE IN INCHES, MILLIMETER EQUIVALENTS ARE IN BRACKETS

TOP MOUNTED FUEL TANK OPTION

REV	CHANGES	BY	ECO NO	DATE	DO NOT SCALE DRAWING	DIMENSIONING AND TOLERANCING PER ANSI Y14.5M-1994	MATERIAL	TITLE	BRIGGS & STRATTON CORP.
-	RELEASED FOR PRODUCTION	GWD	ERN01258	02/16/04	THIS DRAWING IS PROPRIETARY PROPERTY OF BRIGGS & STRATTON CORPORATION DISCLOSED IN CONFIDENCE.	CLASSIFICATION OF CHARACTERISTICS		APPLICATION DRAWING	MILWAUKEE, WISCONSIN, U.S.A.
A	SEE SHEET 1 AND 4	GWD	SC00261	04/21/04	WHICH MAY NOT BE USED OR DISCLOSED WITHOUT PERMISSION. RETURN PROMPTLY AFTER USE.	CRITICAL (C) EMMISSIONS (E) MAJOR (M)	SA: MODEL NO: 3564 SIM TO:	DRAWN: GWD 02/14/04 APP: RAS 03/24/04 DEPT: SCALE: 1:1	DESIGN VENDOR: 356400-0000-06



DIMENSIONS ARE IN INCHES, MILLIMETER EQUIVALENTS ARE IN BRACKETS

TOP MOUNTED FUEL TANK OPTION

REV.	CHANGES	BY	ECO NO.	DATE	DO NOT SCALE DRAWING	DIMENSIONING AND TOLERANCING PER	MATERIAL	TITLE	BRIGGS & STRATTON CORP.
-	RELEASED FOR PRODUCTION	GWD	ERN01255	02/16/04	THIS DRAWING IS PROPRIETARY PROPERTY OF BRIGGS & STRATTON CORPORATION DISCLOSED IN CONFIDENCE.	ANSI Y14.5M-1994		APPLICATION DRAWING	MILWAUKEE, WISCONSIN, U.S.A.
A	SEE SHEET 1 AND 4	GWD	SC00261	04/21/04	WHICH MAY NOT BE USED OR DISCLOSED WITHOUT PERMISSION. RETURN PROMPTLY AFTER USE.	CLASSIFICATION OF CHARACTERISTICS			
-		-	-	-		CRITICAL (C):	SA:	DRAWN: GWD 02/07/04	
-		-	-	-		EMMISSIONS (E):	MODEL NO: 3564	APPR: RAS 03/24/04	
-		-	-	-		MAJOR (M):	SIM TO:	DEPT:	DESIGN VENDOR:
-		-	-	-				SCALE: 1:1	356400-0000-06